



# Enhanced Security and Efficiency in Attendance Management: A Novel RFID and Arduino Integrated System

Debashon Chakraborty <sup>a</sup>, Md Maruf Rahman <sup>b</sup>,  
Zihad Hasan Joy <sup>b</sup>, Md. Ashikul Islam <sup>c</sup>, Abu Shufian <sup>d\*</sup>,  
Protik Parvez Sheikh <sup>d</sup> and Sadman Shahriar Alam <sup>d</sup>

<sup>a</sup> College of Business (Information Systems), Lamar University, Texas, USA.

<sup>b</sup> Department of Department of Business, Engineering & Technology, Texas A&M University-Texarkana, Texas, USA.

<sup>c</sup> Department of Electrical Engineering, Lamar University, Texas, USA.

<sup>d</sup> Department of Electrical & Electronic Engineering, American International University-Bangladesh, Dhaka, Bangladesh.

## Authors' contributions

This work was carried out in collaboration among all authors. All authors read and approved the final manuscript.

## Article Information

DOI: 10.9734/JERR/2024/v26i51134

## Open Peer Review History:

This journal follows the Advanced Open Peer Review policy. Identity of the Reviewers, Editor(s) and additional Reviewers, peer review comments, different versions of the manuscript, comments of the editors, etc are available here: <https://www.sdiarticle5.com/review-history/114881>

**Original Research Article**

**Received: 23/01/2024**

**Accepted: 27/03/2024**

**Published: 01/04/2024**

## ABSTRACT

The advent of Radio Frequency Identification (RFID) technology has ushered in a new paradigm in the domain of automated attendance systems, offering a sophisticated yet user-friendly approach to personnel management. This paper presents a comprehensive study on the design and deployment of an RFID-based attendance system powered by the versatile Arduino platform, elucidating its operational tenets, system architecture, and practical implementations. At the heart of the system lies the MFRC522 RFID reader, which synergizes with an Arduino microcontroller to

\*Corresponding author: Email: shufian.eee@aiub.edu; shufian.eee@gmail.com;

facilitate the identification and logging of attendance data. The system is enhanced by the inclusion of an SD Card Module for data storage and a Real-Time Clock (RTC) Module to ensure accurate timestamping of attendance events. The seamless integration of these components results in a robust mechanism that not only simplifies the attendance tracking process but also fortifies the security framework by leveraging unique identifiers for each user. The study spans the detailed process of assembling the hardware, crafting the software in the Arduino Integrated Development Environment (IDE), and meticulously testing the integrated system to affirm its efficacy. The resulting attendance system embodies a significant stride towards refining attendance management practices, eliminating the shortcomings of manual tracking while providing a scalable and reliable solution adaptable to various organizational settings.

*Keywords: RFID; arduino microcontroller; data logger; automated attendance system; cross-platform integration; data management.*

## 1. INTRODUCTION

In the current landscape of technological evolution, the necessity for innovative and efficient security solutions is more pressing than ever. With the rapid advancement in technology, there is a parallel increase in the need for systems that not only enhance security but also streamline operational processes. Among the myriad of technological solutions, Radio Frequency Identification (RFID) based systems have emerged as a cornerstone in the realm of security and operational efficiency [1]. This paper delves into the development and implementation of an RFID-based attendance system utilizing an Arduino board, specifically focusing on the integration of the MFRC522 RFID reader, SD Card Module, and a Real-Time Clock (RTC) Module.

RFID technology operates on the principle of using radio waves to communicate between a tag, which carries unique identification information, and a reader that decodes this information [2]. This technology has been widely adopted for various purposes, including inventory management, asset tracking, and personal identification, owing to its non-contact, durable, and versatile nature [3]. The RFID system's utility in attendance management systems presents a significant leap forward from conventional methods, offering a seamless, automated process that enhances accuracy and efficiency. The MFRC522 RFID Reader, a pivotal component of our system, epitomizes the integration of simplicity and functionality. It serves as the interface between the user and the system, scanning RFID tags to register attendance. Its widespread application in organizational settings, where it facilitates the automated tracking of employee attendance, underscores its utility and effectiveness. The use

of RFID cards in these contexts not only streamlines the attendance recording process but also introduces an additional layer of security, as each card is uniquely tied to an individual [4].

The application of RFID technology in attendance systems, as explored in recent studies, underscores its potential to revolutionize monitoring and security protocols within university and organizational contexts. For instance, Kassem et al. highlight the successful deployment of a mobile RFID solution, stressing the balance between its benefits and the challenges of large-scale implementation [5]. Similarly, Shi and Li present a cost-effective and user-friendly system designed around Arduino and MFRC522, advocating for RFID's utility in streamlining staff attendance processes [6]. Zaman et al. further corroborates the effectiveness of RFID in automating attendance tracking, emphasizing its simplicity, affordability, and portability as key advantages [7]. Koppikar et al. extend this narrative by integrating RFID with IoT, showcasing a secure and efficient system that addresses common issues like proxy attendance [8].

The proposed system's architecture is built around the Arduino board, a testament to the versatility and adaptability of open-source platforms in creating customized technological solutions. The Arduino board's integration with the MFRC522 RFID reader forms the backbone of the system, enabling the detection and reading of RFID tags. The system's functionality is further enhanced by the incorporation of an SD Card Module, which acts as a data logger, storing attendance records in a text format. This feature ensures that data is not only captured accurately but is also easily accessible for management and review purposes. Moreover, the inclusion of an

RTC Module, such as the DS3231 or DS1307, is crucial for the system's effectiveness. It provides precise time stamps for each attendance record, thereby facilitating an accurate assessment of punctuality and attendance patterns. This capability is essential for organizations that rely on strict timekeeping to maintain operational efficiency and enforce discipline.

The implementation of this RFID-based attendance system represents a confluence of hardware and software engineering. The process begins with the physical assembly of the system components, followed by the programming of the Arduino board to process the data from the RFID reader, log it onto the SD card, and manage timekeeping through the RTC Module. This system not only automates the attendance tracking process but also provides a platform for further enhancements, such as real-time data synchronization with cloud-based systems or integration with payroll systems. From a technical perspective, the system employs a combination of C and C++ programming languages, utilizing the Arduino Integrated Development Environment (IDE) for coding and debugging. The software component is designed to be modular, with distinct functions handling the reading of RFID tags, logging of data, and time management. This modular approach not only facilitates ease of troubleshooting and maintenance but also provides scalability, allowing for future enhancements and integrations. The practical implications of implementing an RFID-based attendance system are manifold. For organizations, it offers a robust solution to attendance management, reducing manual errors and administrative overhead. For

employees, it provides a convenient and efficient way to register attendance without the need for physical registers or manual sign-ins. Moreover, the system's adaptability means it can be customized to meet the specific needs of different organizational contexts, from educational institutions to corporate offices.

In conclusion, the development of an RFID-based attendance system using an Arduino board represents a significant advancement in the use of technology to enhance operational efficiency and security. By leveraging the capabilities of RFID technology, open-source platforms, and innovative software solutions, this system offers a scalable, efficient, and user-friendly approach to attendance management. As technology continues to evolve, the potential for further enhancements and applications of this system in various domains remains vast, promising continued improvements in security and operational efficiency.

## 2. METHODOLOGY

The hardware components include RFID tags/cards, an RFID reader module, an Arduino microcontroller, an LCD screen, a buzzer, a keypad, and interfacing for a PC. The RFID reader is connected to the Arduino to enable the communication and data exchange between the tags and the system. The LCD is interfaced with the Arduino to display user-related information, while the buzzer is set up to provide audio feedback upon successful or unsuccessful tag reads. The keypad allows manual data entry or command input into the system.

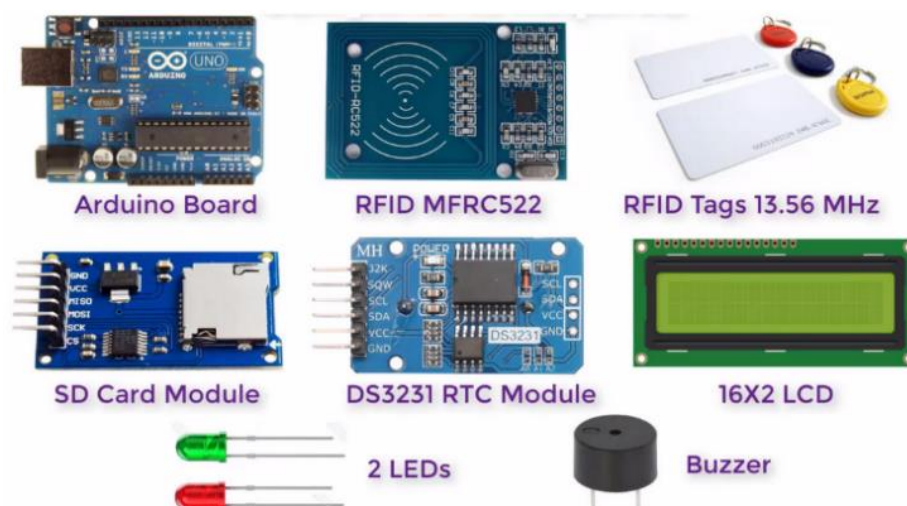
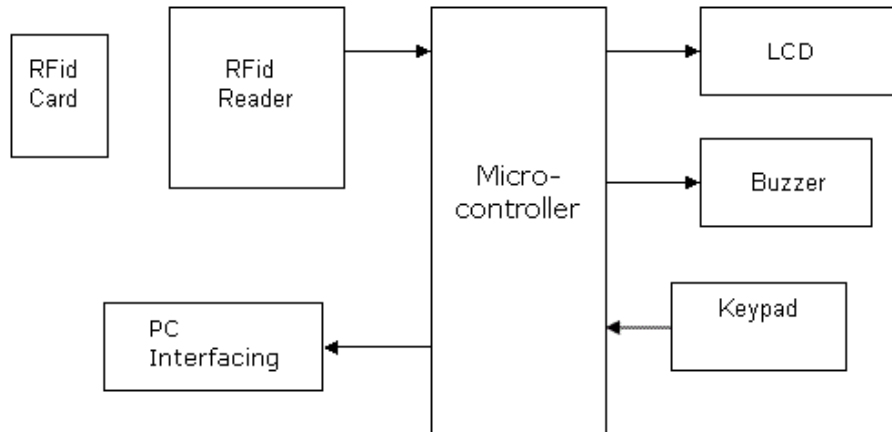


Fig. 1. RFID based attendance system using arduino experimental components [9]



**Fig. 2. RFID based attendance system using arduino block diagram**

The Fig. 2. illustrates a cohesive RFID-based attendance system, featuring a network of interconnected components. Central to the operation is the microcontroller, which orchestrates the flow of data between the RFID reader that captures information from RFID cards, and the peripheral output devices. Upon scanning an RFID card, the reader transmits the data to the microcontroller, which then processes the information and performs actions such as displaying user details on the LCD, sounding an alert through the buzzer for immediate auditory feedback, or receiving user inputs via the keypad. Additionally, the system is designed to interface with a PC, indicating capabilities for data management and advanced functionality, ensuring a robust and user-responsive attendance management solution.

The software for the system is developed in the Arduino IDE using C/C++ programming language. The code is written to handle data from the RFID reader, process user input from the keypad, control the LCD display outputs, and manage the buzzer alerts. Additional scripts are developed to facilitate PC interfacing, which is responsible for database management and system monitoring.

Upon the successful assembly of hardware and development of software components, system integration involves configuring the RFID reader and tags, testing the data flow between the microcontroller and the LCD, and ensuring the responsiveness of the buzzer and keypad. The PC interfacing is established to allow real-time data synchronization with a central database system for attendance recording and monitoring. The testing phase includes functional tests to verify that each component operates as

expected. Unit testing is performed to validate individual parts, followed by system testing to ensure the overall system performance. Scenarios such as tag detection range, system response time, data accuracy, and fail-safe measures are rigorously tested. User acceptance testing is also conducted with a sample group to gather feedback and assess the system's usability.

### 3. RESULTS AND DISCUSSION

Fig. 3 presents a simulation of an RFID-based attendance system orchestrated by an Arduino Uno, a widely-used microcontroller that forms the hub of this setup. In this configuration, the Arduino interfaces with an RFID RC522 module, which serves as the system's data collection point through RFID tag scanning. The inclusion of an SD card module indicates the system's capability for local data storage, logging attendance details such as user IDs and time stamps. These time stamps are accurately provided by the DS1307 Real-Time Clock (RTC) module, ensuring each attendance entry is associated with the precise time of access. The system also integrates an LCD display, which likely provides real-time feedback such as user identification and timestamp confirmation upon tag scans. Audible alerts are managed by a buzzer, suggesting a user-friendly interface with immediate feedback on scan successes or failures. Visual indicators in the form of two LEDs could denote system states, like ready-to-scan or error conditions. A 330-ohm resistor ensures that the LEDs operate within safe electrical parameters, while a 10K potentiometer is employed to adjust the LCD's contrast for optimal visibility.

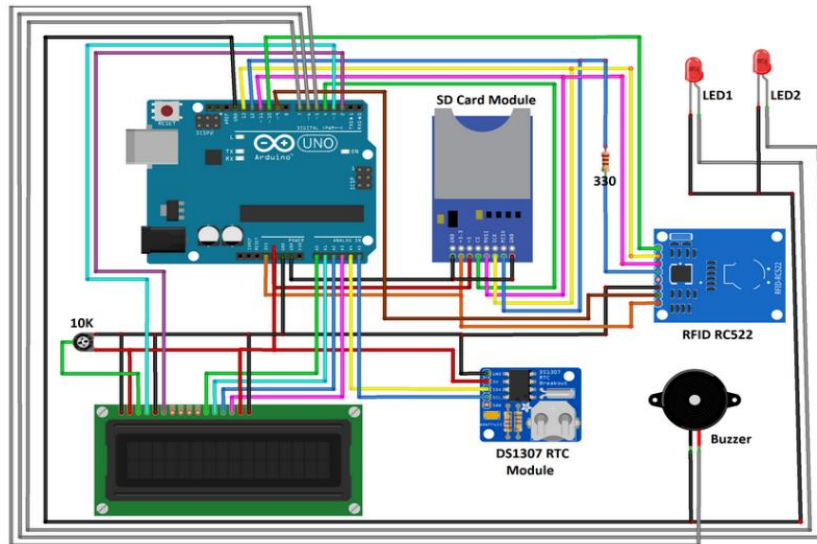


Fig. 3. The simulation of RFID based attendance system using arduino

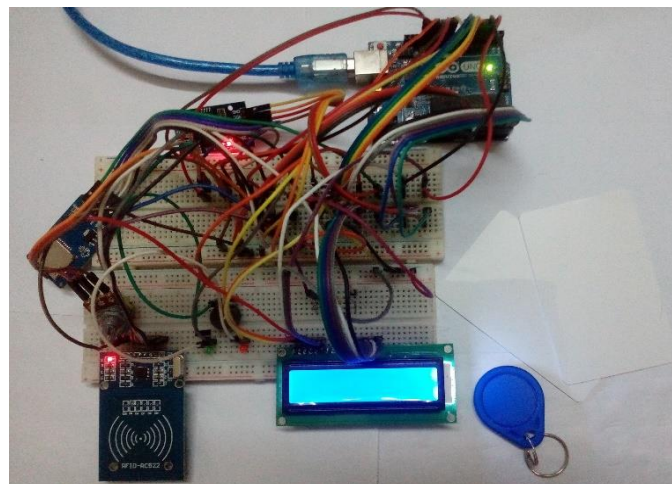


Fig. 4. Original implementation of the experiment

```
64 8 139 26, 2020/4/8,9:20
64 8 139 26, 2020/4/8,9:20
9 34 219 17, 2020/4/8,9:21
64 8 139 26, 2020/4/8,9:23
0 0 0 0, 2020/4/8,9:25
9 34 219 17, 2020/4/8,9:27
9 34 219 17, 2020/4/8,9:27
9 34 219 17, 2020/4/8,9:29
9 34 219 17, 2020/4/8,9:29
0 0 0 0, 2020/4/8,9:30
64 8 139 26, 2020/4/8,9:42
64 8 139 26, 2020/4/8,9:42
64 8 139 26, 2020/4/8,9:43
64 8 139 26, 2020/4/8,9:44
```

Fig. 5. Result of entry time and ID

As depicted in the referenced Fig. 5, the operation of an RFID-based gate security system is elucidated through a sequence of interactions between its components. When an RFID tag is presented to the RFID reader, it retrieves the unique identification code embedded within the tag. This code is then transmitted to the microcontroller, which serves as the decision-making core of the system. The microcontroller is pre-programmed with a database of authorized codes; upon receiving a code from the reader, it compares the incoming code against this database. If a match is found indicating an authorized entry the system activates a mechanism to open the gate, simultaneously marking the attendance of the individual.

The system not only provides secure access control by allowing only authorized entries but also automates the attendance logging process. This dual functionality ensures enhanced security while streamlining the entry process. The information associated with the recognized code, such as the individual's name or entry time, is subsequently displayed on a connected interface, which could be a computer monitor or an integrated display.

The figure that portrays the original setup of the system shows the practical arrangement of hardware components, including the RFID reader, microcontroller, and other interfacing devices. Another figure illustrates the graphical user interface (GUI) where the details of an accepted card, once read and authenticated by the reader, are displayed. This GUI is an essential component of the system, providing a user-friendly and visual confirmation of the successful entry, and it could potentially display additional details like time of access or the person's designation.

#### 4. CONCLUSION

The research encapsulated in this paper articulates a definitive step forward in the application of RFID and Arduino technologies towards crafting an advanced attendance system. The system's design underscores the pivotal role of RFID in streamlining attendance tracking while offering enhanced security and operational efficiency. The integration of the MFRC522 RFID reader and the Arduino microcontroller illustrates the harmonious interplay between hardware versatility and software agility. The successful implementation of the system is a testament to the practicability

of RFID technology in real-world scenarios, demonstrating its adaptability and scalability across diverse environments. The Arduino platform's open-source nature has been pivotal in enabling customizability, paving the way for future enhancements that could encompass IoT connectivity, cloud-based analytics, and machine learning algorithms. The paper concludes by underscoring the potential of such systems to revolutionize attendance and access control processes. Looking ahead, the incorporation of energy-efficient tags, biometric verification, and blockchain technology could further bolster the system's robustness and security. This research not only contributes to the existing body of knowledge but also opens avenues for future exploration, anticipating a surge in the adoption of RFID-based systems that align with the dynamic demands of the modern workplace. As technological frontiers expand, the intersection of RFID technology with emergent domains presents an exciting prospect for innovators and practitioners alike, promising a future where attendance systems are not mere administrative tools but catalysts for comprehensive security and efficiency solutions.

#### 5. FUTURE POTENTIAL

The trajectory of RFID-based attendance systems utilizing Arduino promises a wealth of innovation and enhanced functionality. Future iterations are poised to leverage the Internet of Things (IoT) for real-time data synchronization and management across global networks, enhancing the scope of workforce analytics and resource planning. Integration with cloud services is anticipated to streamline storage and processing of attendance data, while the incorporation of machine learning could provide predictive insights and anomaly detection. The system's security may be fortified through biometric verifications, adding a layer of personalized access control. Additionally, the advent of energy-harvesting RFID tags could herald a new era of sustainability in attendance monitoring. As wearable technologies become more pervasive, RFID capabilities could be embedded within them for effortless attendance tracking. With advancements in user interface design and the potential application of blockchain for data integrity, these systems are set to become more robust and user-friendly. Moreover, the prospect of cross-platform integration suggests a seamless fusion with existing enterprise systems, signaling a shift towards more cohesive

and adaptive attendance management solutions.

## COMPETING INTERESTS

Authors have declared that no competing interests exist.

## REFERENCES

1. "What is RFID - How Does RFID Work - AB&R."; 2024. Accessed: Mar. 12, 2024. Available:<https://abr.com/what-is-rfid-how-does-rfid-work/>
2. AH Wheeb. "Performance analysis of VoIP in wireless networks," International Journal of Computer Networks and Wireless Communications (IJCNWC). 2017;7(4):1-5.
3. MS Mahmud, MA Islam, MM Rahman, D Chakraborty, S Kabir, A Shufian, PP Sheikh. "Enhancing industrial control system security: An isolation forest-based anomaly detection model for mitigating cyber threats". Journal of Engineering Research and Reports. 2024;26(3):161-173.
4. "Radio Frequency Identification (RFID): What is it?. Homeland Security." Accessed: Mar. 12, 2024. Available:<https://www.dhs.gov/radio-frequency-identification-rfid-what-it>
5. A Kassem, M Hamad, Z Chalhoub, S El Dahdaah. "An RFID attendance and monitoring system for university applications," 2010 IEEE International Conference on Electronics, Circuits, and Systems, ICECS 2010 – Proceedings. 2010;851–854. DOI:10.1109/ICECS.2010.5724646.
6. L Shi, Q Li. "An attendance system design based on RFID technology," 2020 8th International Conference on Orange Technology, ICOT; 2020, Dec. DOI:10.1109/ICOT51877.2020.9468740.
7. HU Zaman, JS Hossain, TT Anika, D Choudhury, "RFID based attendance system," 8th International Conference on Computing, Communications and Networking Technologies, ICCCNT; 2017, Dec. DOI:10.1109/ICCCNT.2017.8204180.
8. U Koppikar, S Hiremath, A Shiralkar, A Rajoor, VP Baligar. "IoT based smart attendance monitoring system using RFID," 1st IEEE International Conference on Advances in Information Technology, ICAIT 2019 – Proceedings. 2019, Jul;193–197. DOI:10.1109/ICAIT47043.2019.8987263.
9. "RFID RC522 Attendance System Using Arduino with Data Logger." Accessed: Mar. 12, 2024. Available:<https://how2electronics.com/rfid-rc522-attendance-system-using-arduino>

© Copyright (2024): Author(s). The licensee is the journal publisher. This is an Open Access article distributed under the terms of the Creative Commons Attribution License (<http://creativecommons.org/licenses/by/4.0>), which permits unrestricted use, distribution, and reproduction in any medium, provided the original work is properly cited.

Peer-review history:

The peer review history for this paper can be accessed here:  
<https://www.sdiarticle5.com/review-history/114881>